

3.8V

REVISION HISTORY

DEVICE ORDER INFORMATION

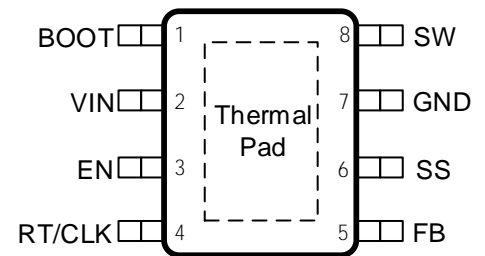
ABSOLUTE MAXIMUM RATINGS

(1)

(2)

(3)

PIN CONFIGURATION



PIN FUNCTIONS

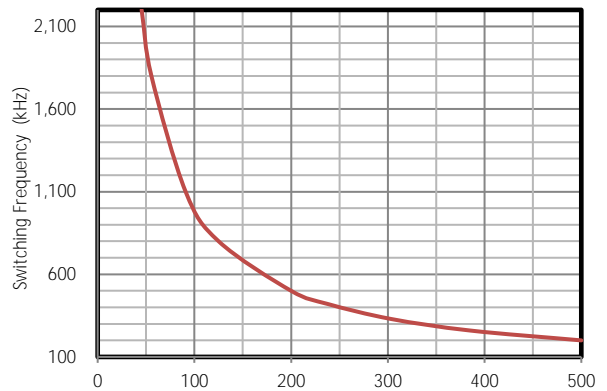
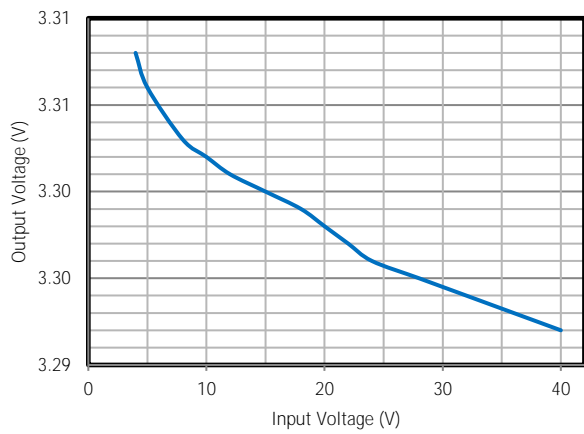
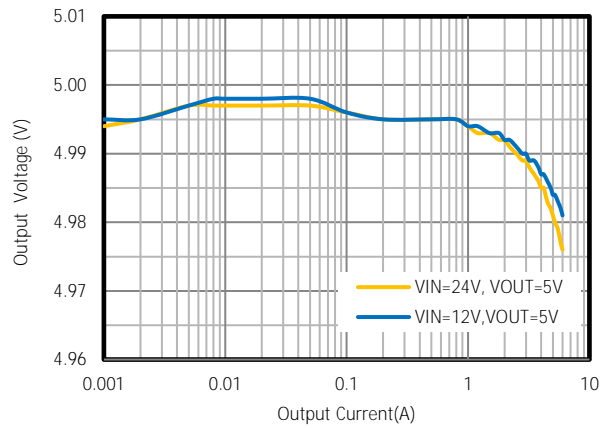
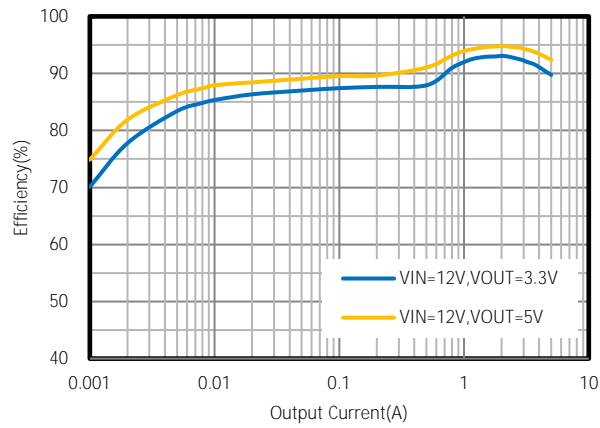
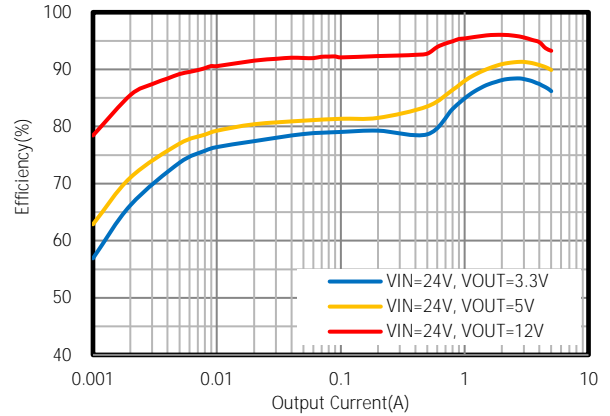
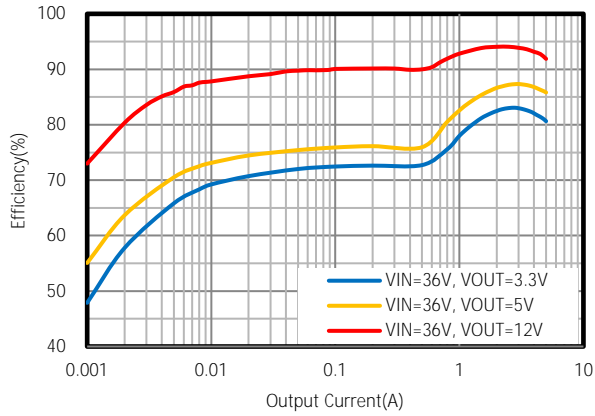
RECOMMENDED OPERATING CONDITIONS

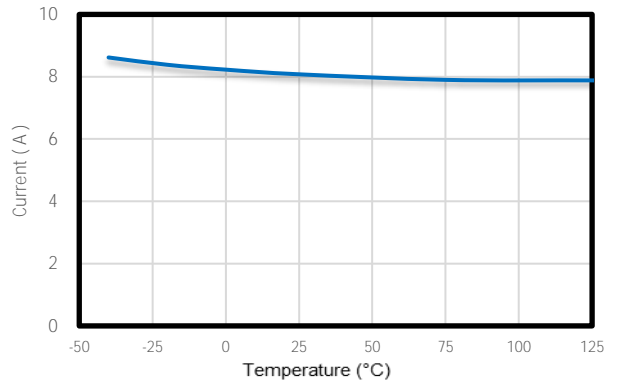
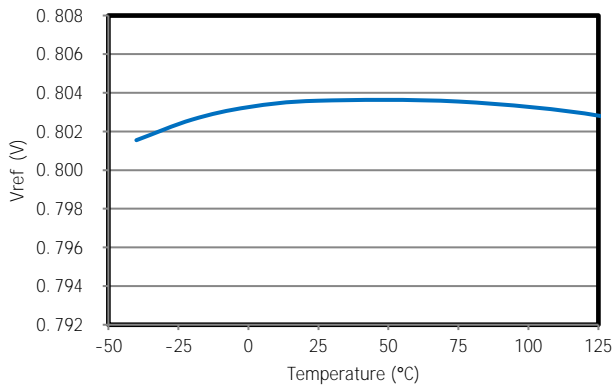
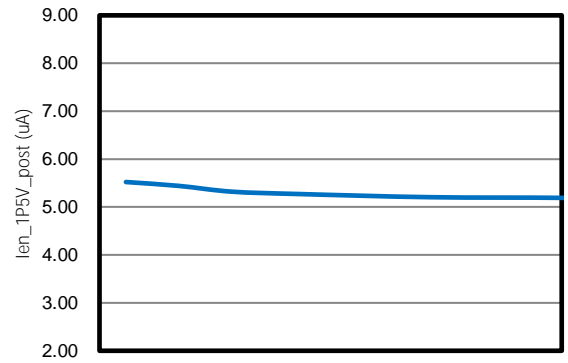
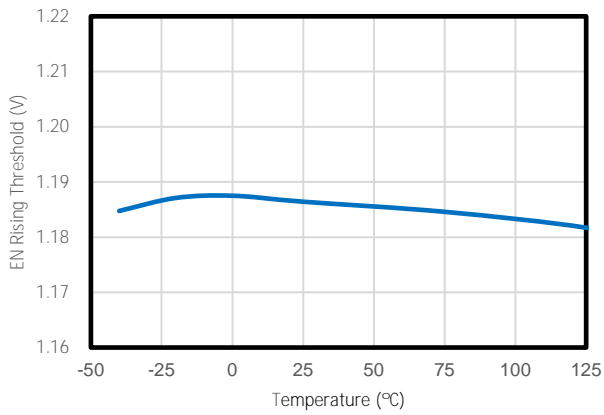
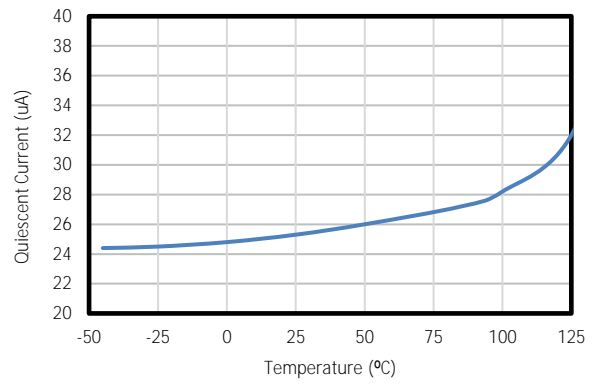
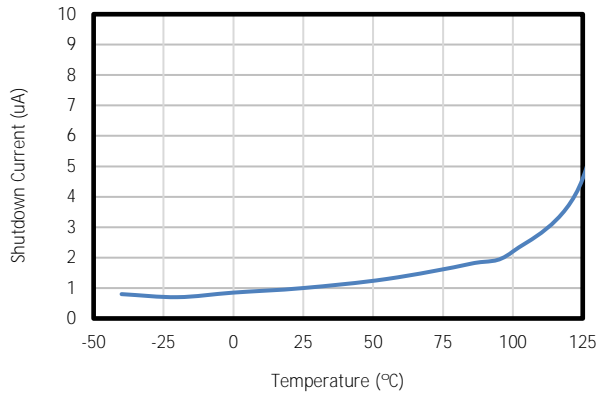
ESD RATINGS

(1)
(2)

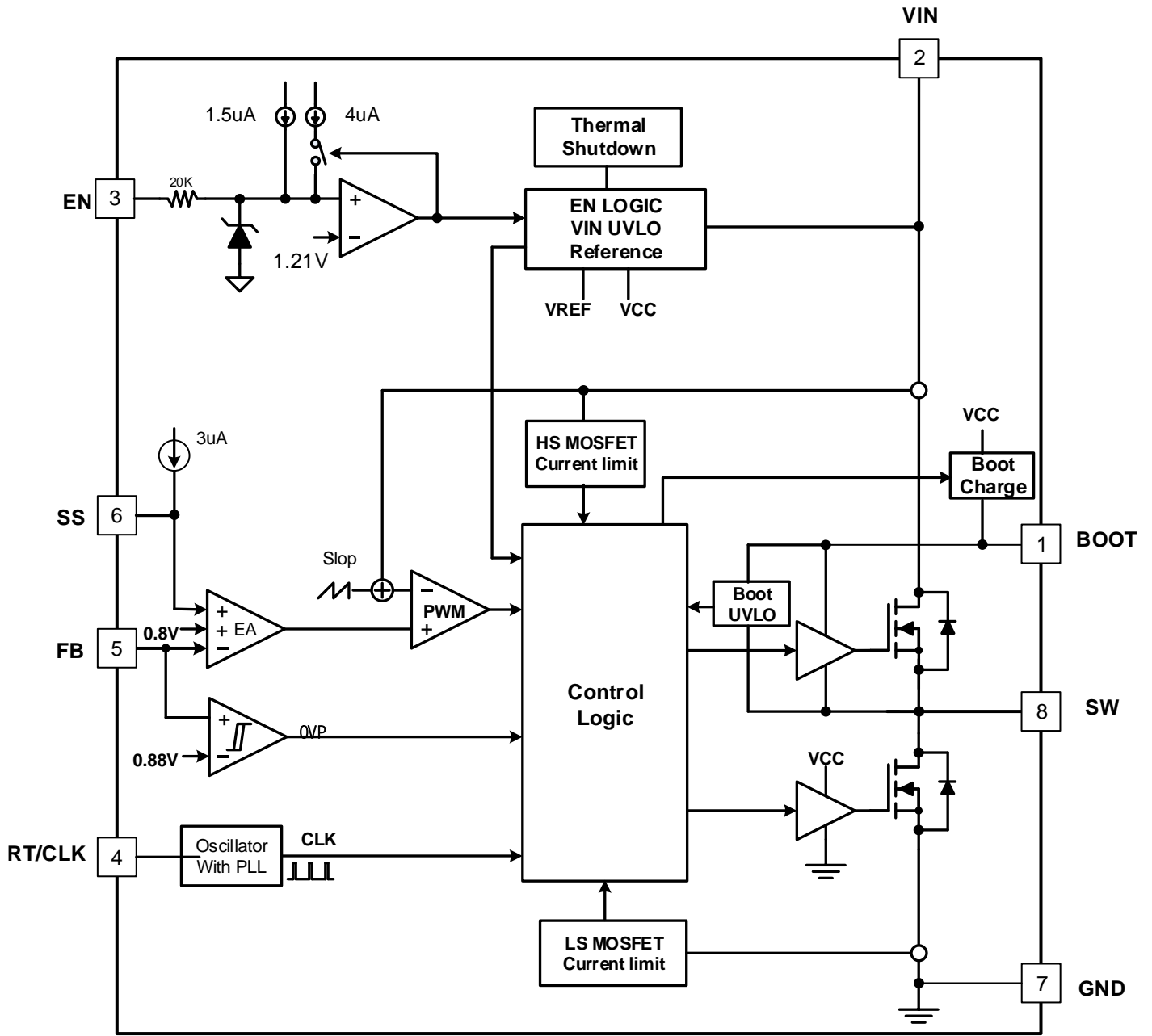
THERMAL INFORMATION

TYPICAL CHARACTERISTICS

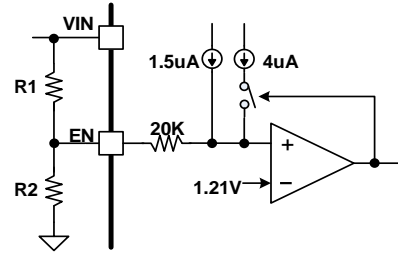




FUNCTIONAL BLOCK DIAGRAM



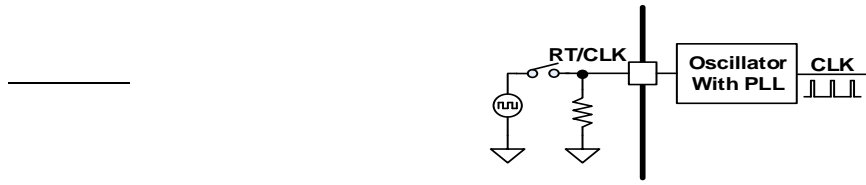
OPERATION

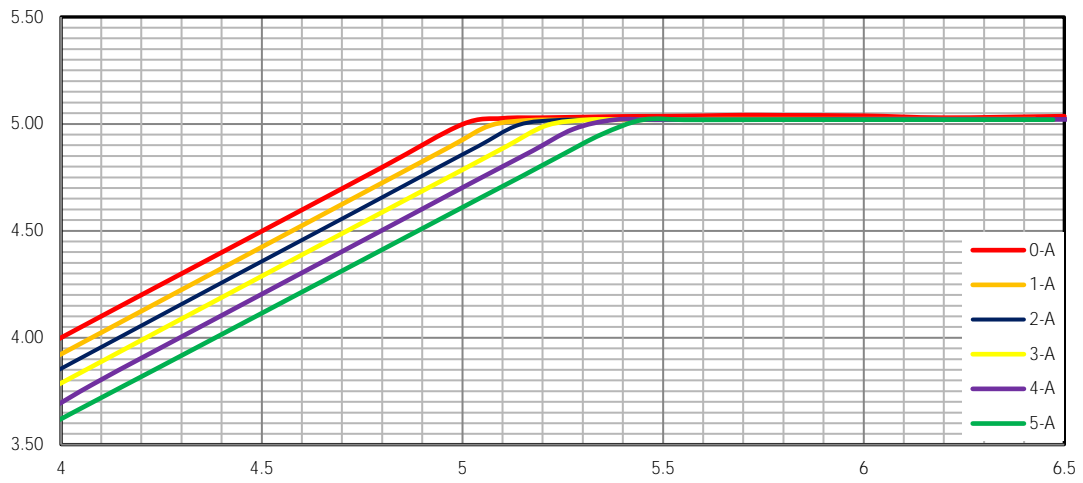


-
-

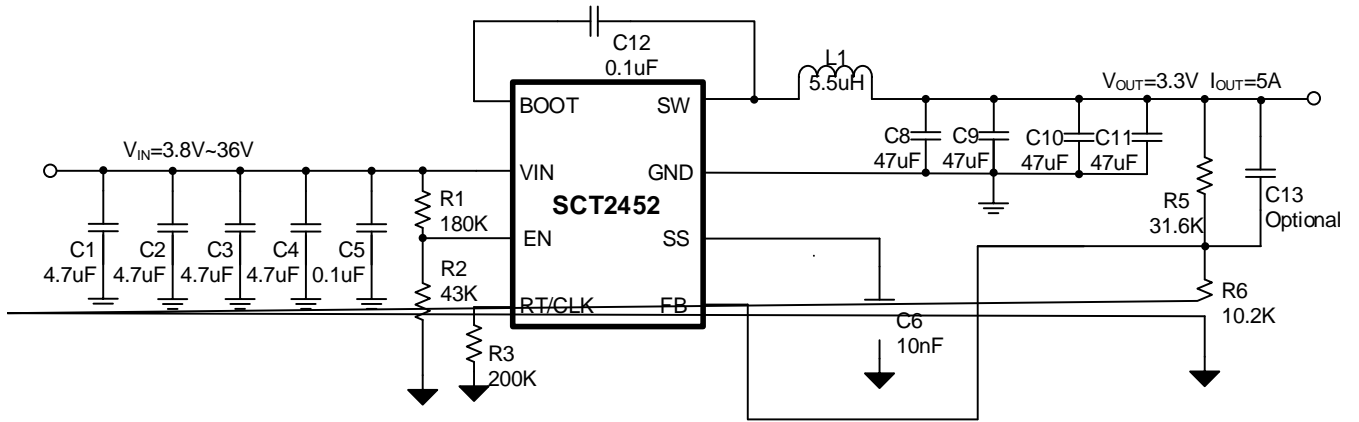
±

-
-





APPLICATION INFORMATION



□

—

•

—

•

—

—

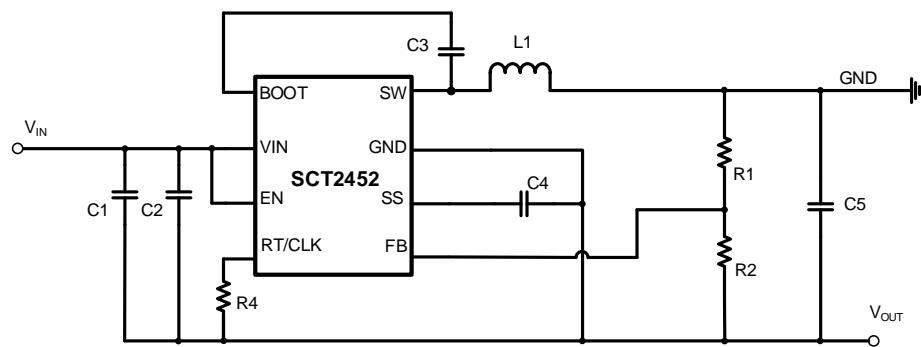
-
-
-
-
-

-
-
-
-
-
-

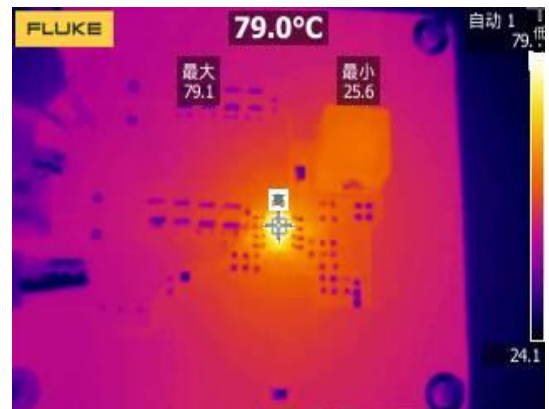
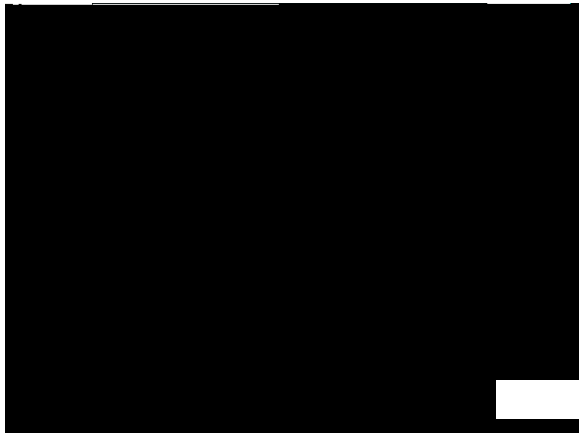
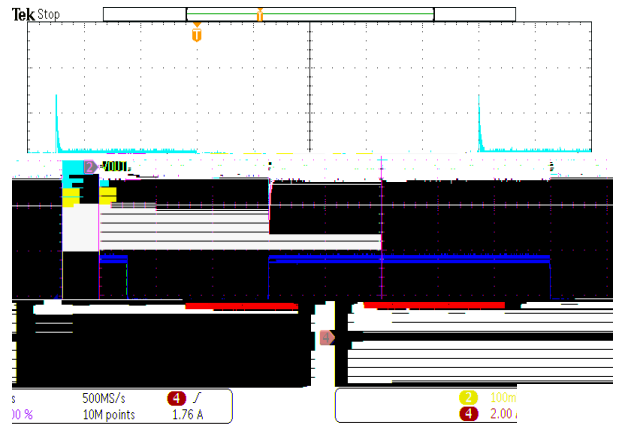
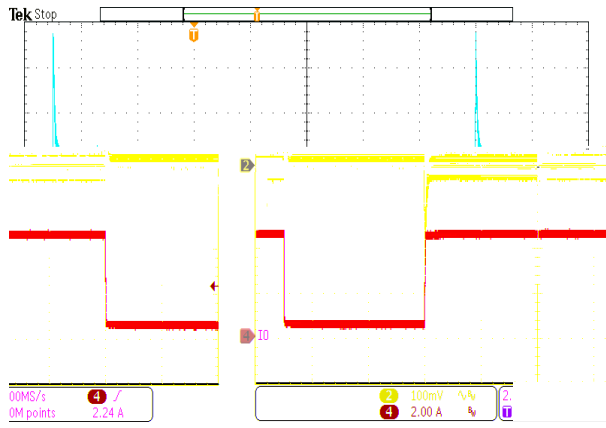
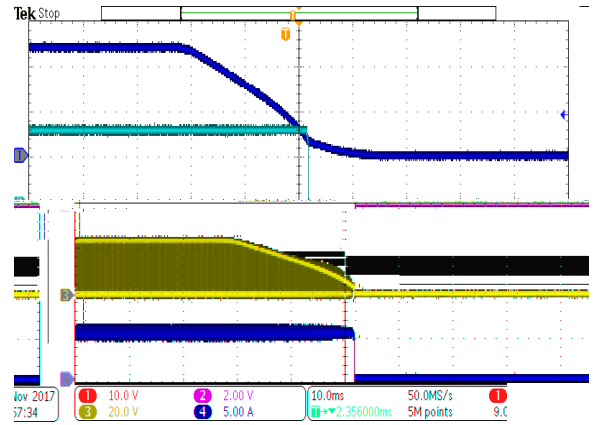
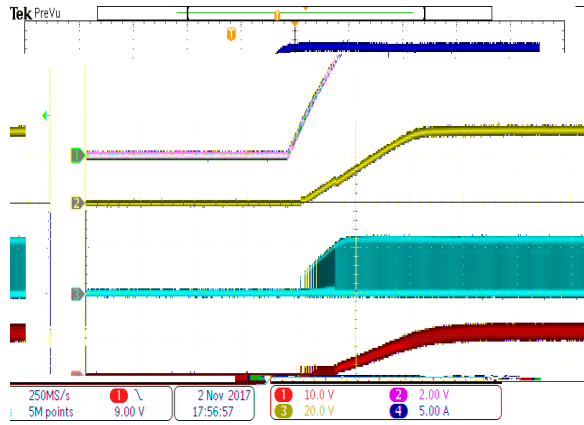
-
-
-
-

•

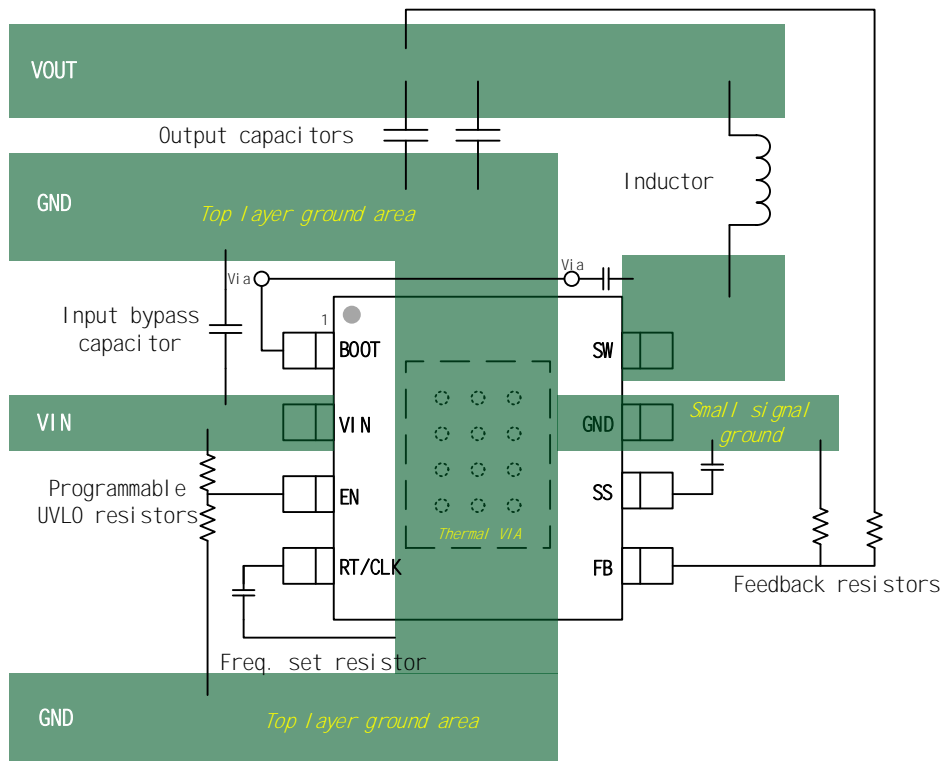
-
-
-
-
-



□



- 1.
- 2.
- 3.
- 4.
- 5.
- 6.
- 7.
- 8.
- 9.



RELATED PARTS

□