

17V Vin, 3A Synchronous Step-down DCDC Converter

FEATURES

- Wide Input Voltage: 4.2-17V
- 3A Continuous Output Current with Integrated 75m /45m FETs
- Wide Output Voltage Range:0.8V-7V
- Quiescent Current 150uA
- Cycle-by-Cycle Current Limiting
- Internal 2ms Soft-Start Limits the inrush current
- Fixed 750kHz Switching Frequency
- Input Under-Voltage Lockout
- Power save mode at light load
- Over-Temperature Protection
- Available in a SOT563 and TSOT23 Package

APPLICATIONS

- Flat Panel Digital TV and Monitors
- Surveillance
- Set Top Boxes
- Networking Systems
- Consumer Electronics
- General Purpose

DESCRIPTION

The SCT2230 is a fully integrated high efficiency synchronous step-down DCDC converter capable of delivering 3A current. The devices operate over a wide input voltage range from 4.2V to 17V and fully integrate high-side power MOSFETs and synchronous MOSFETs with very low R_{dson} to minimize the conduction loss.

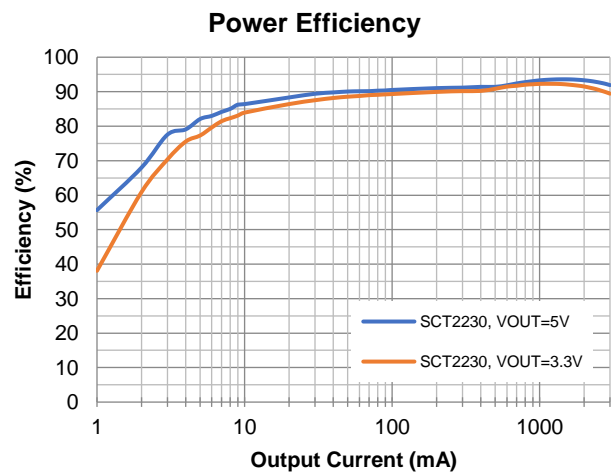
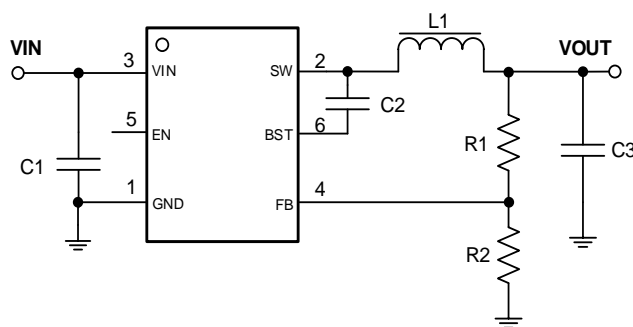
With 750 kHz switching frequency, low output voltage ripple, small external inductor and capacitor size are achieved. SCT2230 adopts adaptive constant ON-time control architecture to achieve fast load transient responses for step-down applications.

The SCT2230 operates in power saving mode, which maintains high efficiency during light load operation.

It includes full protection features, such as over current protection, output under-voltage protection, input under-voltage lockout, and thermal shutdown.

The SCT2230 requires a minimal number of external components and is available in a space-saving SOT563 and TSOT23-6 package.

TYPICAL APPLICATION



SCT2230

REVISION HISTORY

NOTE: Page numbers for previous revisions may differ from page numbers in the current version.

Revision 1.2: Update DEVICE ORDER INFORMATION

DEVICE ORDER INFORMATION

ORDERABLE DEVICE	PACKAGING TYPE	STANDARD PACK QTY	PACKAGE MARKING	PINS	PACKAGE DESCRIPTION
SCT2230TVAR	Tape & Reel	5000	2230	6	SOT563-6L
SCT2230TVBR	Tape & Reel	3000	2230	6	TSOT23-6L

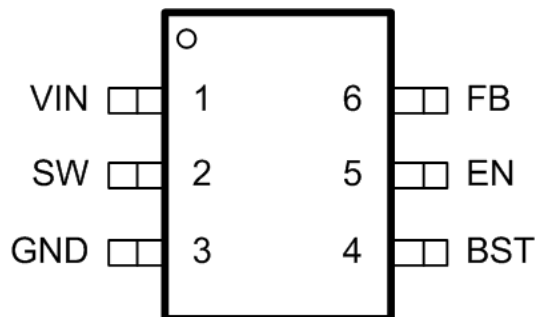
ABSOLUTE MAXIMUM RATING

Over operating free-air temperature unless otherwise noted⁽¹⁾

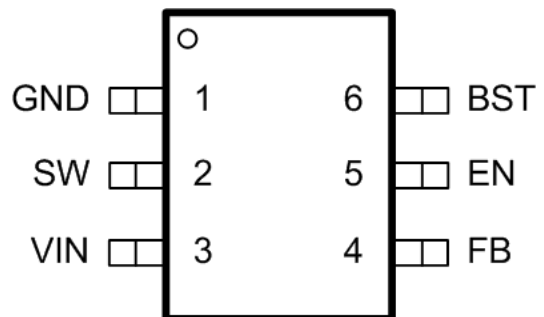
SYMBOL	PARAMETER	RATING	UNIT
V_{IN}	Supply Voltage	-0.3 to 20	V
V_{SW}	Switch Node Voltage	-1 to $V_{IN}+0.3$	V
V_{BST}	Bootstrap	$V_{SW}-0.3$ to $V_{SW}+6$	V
V_{FB}	Feedback Voltage	-0.3 to 6.5	V
V_{EN}	Enable/UVLO Voltage	-0.3 to 6.5	V
T_J	Operating junction temperature ⁽²⁾	-40 to 125	C
T_{STG}	Storage temperature	-65 to 150	C

- (1) Stresses beyond those listed under Absolute Maximum Rating may cause device permanent damage. The device is not guaranteed to function outside of its Recommended Operation Conditions.
- (2) The IC includes over temperature protection to protect the device during overload conditions. Junction temperature will exceed 150°C when over temperature protection is active. Continuous operation above the specified maximum operating junction temperature will reduce lifetime

PIN CONFIGURATION



SOT563 Top View
(1.6mm x 1.6mm)



TSOT23-6 Top View
(2.8mm x 2.8mm)

PIN FUNCTIONS

NAME	PIN NUMBER		PIN FUNCTION
	SOT563	TSOT23-6	
VIN	1	3	Power supply input. VIN supplies the power to the IC, as well as the step-down converter switches. Drive VIN with a 4.2V to 17V power source. Bypass VIN to GND with a suitably large capacitor to eliminate noise on the input to the IC. See Input Capacitor.
SW	2	2	Power Switching Output. SW is the switching node that supplies power to the output. Connect the output LC filter from SW to the output load. Note that a capacitor is required from SW to BST to power the high-side switch.
GND	3	1	Power ground. Must be soldered directly to ground plane.
BST	4	6	Power supply for the high-side power MOSFET gate driver. Must connect a 0.1uF or greater ceramic capacitor between BST pin and SW node.
EN	5	5	Enable logic input. Floating the pin enables the device. Connect 100K resistor to VIN to enable the device. The device has precision enable thresholds 1.18V rising / 1.1V falling for programmable UVLO threshold and hysteresis.
FB	6	4	Buck converter output feedback sensing voltage. Connect a resistor divider from VOUT to FB to set up output voltage. The device regulates FB to the internal reference of 0.8V typical.

RECOMMENDED OPERATING CONDITIONS

Over operating free-air temperature range unless otherwise noted

PARAMETER	DEFINITION	MIN	MAX	UNIT
V _{IN}	Input voltage range	4.2	17	V
T _J	Operating junction temperature	-40	125	°C

ESD RATINGS

PARAMETER	DEFINITION	MIN	MAX	UNIT
V _{ESD}	Human Body Model(HBM), per ANSI-JEDEC-JS-001-2014 specification, all pins ⁽¹⁾	-2	+2	kV
	Charged Device Model(CDM), per ANSI-JEDEC-JS-002-2014specification, all pins ⁽¹⁾	-0.5	+0.5	kV

(1) HBM and CDM stressing are done in accordance with the ANSI/ESDA/JEDEC JS-001-2014 specification

THERMAL INFORMATION

PARAMETER	THERMAL METRIC	SOT563	TSOT23-6	UNIT
R				

SCT2230

ELECTRICAL CHARACTERISTICS

V_{IN}=12V, T_J=-40°C~125°C, typical values are tested under 25°C.

SYMBOL	PARAMETER	TEST CONDITION	MIN	TYP	MAX	UNIT
Power Supply and Output						
V _{IN}	Operating input voltage		4.2		17	V
V _{IN_UVLO}	Input UVLO Hysteresis	V _{IN} rising		4.0 300	4.15	V mV
I _{SD}	Shutdown current	EN=0, No load, V _{IN} =12V		1.5	5	uA
I _Q	Quiescent current	EN=2V, No load, No switching. V _{IN} =12V. BST-SW=5V		155		uA
Enable, Soft Start and Working Modes						
V _{EN_H}	Enable high threshold			1.18	1.25	V
V _{EN_L}	Enable low threshold		1.03	1.1		V
I _{EN}	Enable pin input current	EN=1V	1	1.5	2	uA
I _{EN_HYS}	Enable pin hysteresis current	EN=1.5V		6.8		uA
Power MOSFETs						
R _{DS(on)_H}	High side FET on-resistance			75		m
R _{DS(on)_L}	Low side FET on-resistance			45		m
Feedback and Error Amplifier						
V _{FB}	Feedback Voltage		0.78	0.8	0.82	V
Current Limit						
I _{LIM_LSD}	LSD valley current limit		3.2	3.7	4.2	A
Switching Frequency						
F _{SW}	Switching frequency	V _{IN} =12V, V _{OUT} =5V		750		kHz
t _{ON_MIN}	Minimum on-time			90		ns
t _{OFF_MIN}	Minimum off-time			220		ns
Soft Start Time						
t _{SS}	Internal soft-start time			2.5		ms
Protection						
T _{SD}	Thermal shutdown threshold Hysteresis	T _J rising		160 20		°C

TYPICAL CHARACTERISTICS

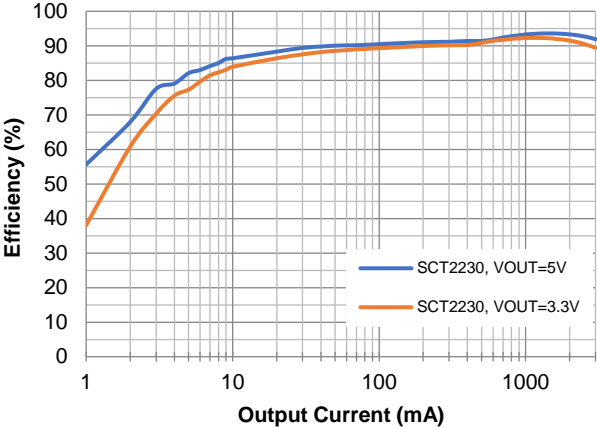


Figure 1. SCT2230 Efficiency, Vin=12V

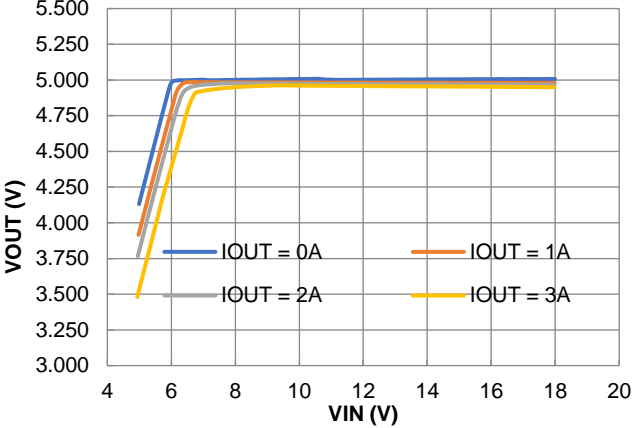


Figure 2. VOUT Vs. VIN

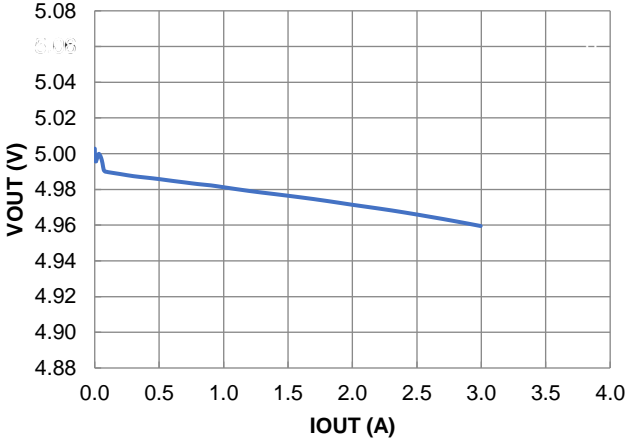


Figure 2. Load Regulation

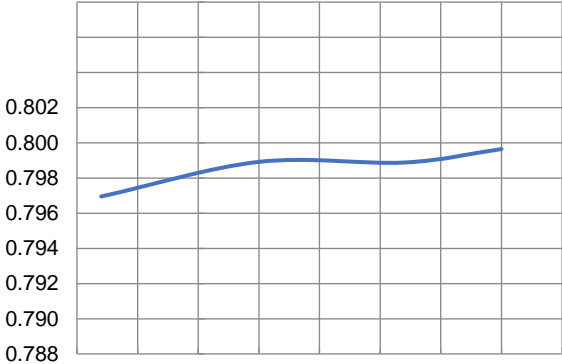
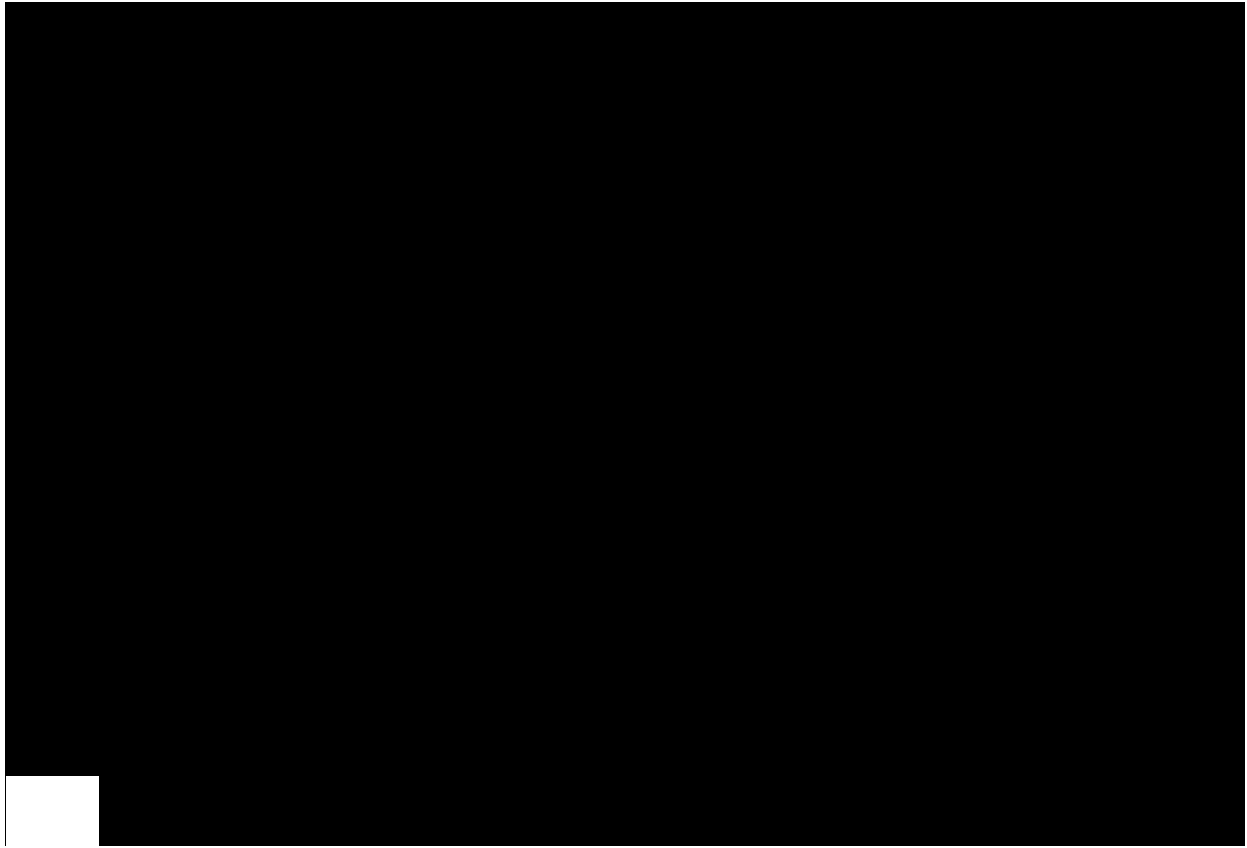


Figure 4. FB Voltage Vs. Temperature

Figure 5. UVLO Vs. Temperature

Figure 6. Quiescent Current Vs. Temperature

FUNCTIONAL BLOCK DIAGRAM



OPERATION

Adaptive On-time Control

The SCT2230 device is 4.2-17V input, 3A output, synchronous step-down converters with internal power MOSFETs. Adaptive constant on-time (ACOT) control is employed to provide fast transient response and easy loop stabilization. At the beginning of each cycle, the high-side MOSFET is turned on for a fixed one shot time ON-time period. The one shot time is calculated by the converter's input voltage (VIN) and the output voltage (VOUT) cycle-by-cycle based to maintain a pseudo-fixed frequency over the input voltage range, hence it is called adaptive on-time control. SCT2230 turns off high-side MOSFET after the fixed on time and turns on the low-side MOSFET. SCT2230 turns off the low-side MOSFET once the output voltage dropped below the output regulation, the one-shot timer then reset and the high-side MOSFET is turned on again. The on-time is inversely proportional to the input voltage and proportional to the output voltage. It can be calculated using the following equation (1):

$$t_{ON} = \frac{V_{OUT}}{V_{IN} \cdot f_s} \quad (1)$$

Where:

- VOUT is the output voltage.
- VIN is the input voltage.
- fs is the switching frequency.

After an ON-time period, the regulator goes into the OFF-time period. The OFF-time period length depends on VFB in most cases. It will end when the FB voltage decreases below 0.8V, at which point the ON-time period is triggered. If the OFF-time period is less than the minimum OFF time, the minimum OFF time will be applied, which is around 200ns typical.

Power Saving Mode (PSM)

The SCT2230 is designed with Power Save Mode (PSM) at light load conditions for high power efficiency. The regulator automatically reduces the switching frequency and extends Toff while no Ton changing during the light load condition to get high efficiency and low output ripple. As the output current decreases from heavy load condition, the inductor current decreases as well, eventually nearing zero current, this is the boundary between CCM and DCM. The low side MOSFET is turned off when the inductor current reaches zero level. The load is provided only by output capacitor, when FB voltage is lower than 0.8V, the next ON cycle begins. The on-time is the minimum on time that benefits for decreasing VOUT ripple at light load condition. When the output current increases from light to heavy load the switching frequency increases to keep output voltage. The transition point to light load operation can be calculated using the following equation (2):

$$I_{LOAD} = \frac{V_{IN} \cdot V_{OUT}}{2L} \cdot T_{ON} \quad (2)$$

Where:

- TON is on-time

VIN Power

The SCT2230 is designed to operate from an input voltage supply range between 4.2V to 17V, at least 0.1uF decoupling ceramic cap is recommended to bypass the supply noise. If the input supply locates more than a few inches from the converter, an additional electrolytic or tantalum bulk capacitor or with recommended 10uF may be required in addition to the local ceramic bypass capacitors.

SCT2230

Under Voltage Lockout UVLO

The SCT2230 Under Voltage Lock Out (UVLO) default startup threshold is typical 3.9V with VIN rising and shutdown threshold is 3.6V with VIN falling. The more accurate UVLO threshold can be programmed through the precision enable threshold of EN pin.

Enable and Start up

When applying a voltage higher than the EN high threshold (typical 1.18V/rise), the SCT2230 enables all functions and the device starts soft-start phase. The SCT2230 has the built in 2ms soft-start time to prevent the output overshoot and inrush current. When EN pin is pulled low, the internal SS net will be discharged to ground. Buck operation is disabled when EN voltage falls below its lower threshold (typically 1.1V/fall).

An internal 1.5uA pull up current source connected from internal LDO power rail to EN pin guarantees that floating EN pin automatically enables the device. For the application requiring higher VIN UVLO voltage than the default setup, there is a 6.8uA hysteresis pull up current source on EN pin which configures the VIN UVLO voltage with an off-chip resistor divider R3 and R4, shown in Figure 9. The resistor divider R3 and R4 are calculated by equation (3) and (4).

EN pin is a high voltage pin, and can be directly connected to VIN to automatically start up the device with VIN rising to its internal UVLO threshold.

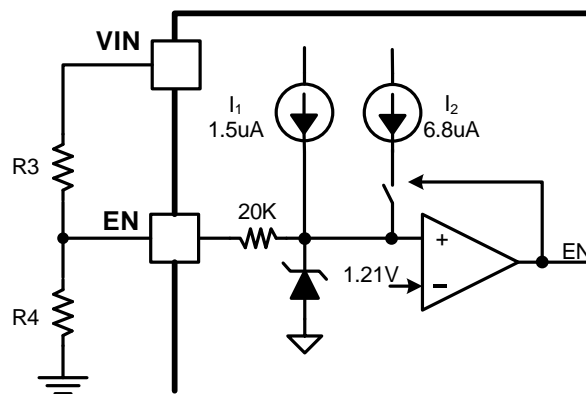


Figure 7. Adjustable VIN UVLO

$$3 = \frac{V_{start} - V_{stop}}{I_1(1 - \frac{V_{stop}}{V_{start}}) + I_2} \quad (3)$$

$$4 = \frac{V_{start} \times V_{stop}}{V_{stop} + V_{start}(1 - \frac{V_{stop}}{V_{start}})} \quad (4)$$

Where:

Vstart: Vin rise threshold to enable the device

Vstop: Vin fall threshold to disable the device

$I_1=1.5\mu\text{A}$
 $I_2=6.8\mu\text{A}$
 $V_{\text{ENR}}=1.18\text{V}$
 $V_{\text{EMF}}=1.1\text{V}$

Over Current Protection (OCP) and Hiccup Mode

In each switching cycle, the inductor current is sensed by monitoring the low-side MOSFET during the OFF period. When the voltage between GND pin and SW pin is lower than the over current threshold voltage, the OCP will be triggered and the controller keeps the OFF state. A new switching cycle will begin only when the measured voltage is higher than limit voltage. If output loading continues to increase, output will dropped below the UVP, and SS pin is discharged such that output is 0V. Then the device will count for 7 cycles of soft-start time for hiccup waiting time and restart normally after 7 cycles' soft-start period.

Bootstrap Voltage Regulator

An external bootstrap capacitor between BST and SW pin powers floating high-side power MOSFET gate driver. The bootstrap capacitor voltage is charged from an integrated voltage regulator when high-side power MOSFET is off and low-side power MOSFET is on.

The floating supply (BST to SW) UVLO threshold is 2.2V rising and hysteresis of 200mV. When the converter operates with high duty cycle or prolongs in sleep mode for certain long time, the required time interval to recharging bootstrap capacitor is too long to keep the voltage at bootstrap capacitor sufficient. When the voltage across bootstrap capacitor drops below 2.2V, BST UVLO occurs. The SCT2230 intervenes to turn on low side MOSFET periodically to refresh the voltage of bootstrap capacitor to guarantee operation over a wide duty range.

Thermal Shutdown

Once the junction temperature in the SCT2230 exceeds 160°C, the thermal sensing circuit stops converter switching and restarts with the junction temperature falling below 140°C. Thermal shutdown prevents the damage on device during excessive heat and power dissipation condition.

APPLICATION INFORMATION

Typical Application

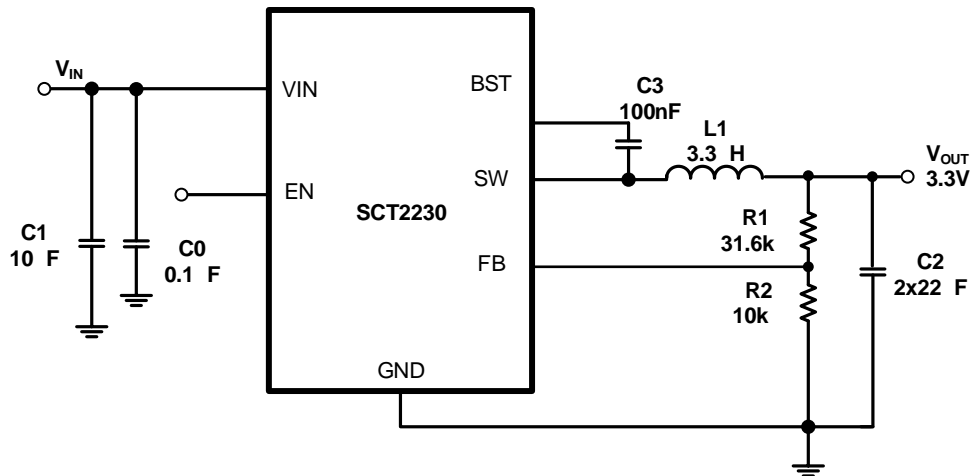


Figure 8. 12V Input, 3.3V/3A Output

Design Parameters

Design Parameters	Example Value
Input Voltage	12V
Output Voltage	3.3V
Output Current	3A
Switching Frequency	750kHz

Input Capacitor Selection

For good input voltage filtering, choose low-ESR ceramic capacitors. A ceramic capacitor 10µF is recommended for the decoupling capacitor and a 0.1µF ceramic bypass capacitor is recommended to be placed as close as possible to the VIN pin of the SCT2230.

Use Equation (5) to calculate the input voltage ripple:

$$\Delta V_{IN} = \frac{I_{OUT}}{C_{IN} \times f_{sw}} \times \frac{V_{OUT}}{V_{IN}} \times (1 - D) \quad (5)$$

Where:

- C_{IN} is the input capacitor value
- f_{sw} is the converter switching frequency
- I_{OUT} is the maximum load current

Due to the inductor current ripple, the input voltage changes if there is parasitic inductance and resistance between the power supply and the VIN pin. It is recommended to have enough input capacitance to make the input voltage

ripple less than 100mV. Generally, a 25V/10uF input ceramic capacitor is recommended for most of applications. Choose the right capacitor value carefully with considering high-capacitance ceramic capacitors DC bias effect, which has a strong influence on the final effective capacitance.

Inductor Selection

The performance of inductor affects the power supply’s steady state operation, transient behavior, loop stability, and buck converter efficiency. The inductor value, DC resistance (DCR), and saturation current influences both efficiency and the magnitude of the output voltage ripple. Larger inductance value reduces inductor current ripple and therefore leads to lower output voltage ripple. For a fixed DCR, a larger value inductor yields higher efficiency via reduced RMS and core losses. However, a larger inductor within a given inductor family will generally have a greater series resistance, thereby counteracting this efficiency advantage.

Inductor values can have ±20% or even ±30% tolerance with no current bias. When the inductor current approaches saturation level, its inductance can decrease 20% to 35% from the value at 0-A current depending on how the inductor vendor defines saturation. When selecting an inductor, choose its rated current especially the saturation current larger than its peak current during the operation.

To calculate the current in the worst case, use the maximum input voltage, minimum output voltage, maxim load current and minimum switching frequency of the application, while considering the inductance with -30% tolerance and low-power conversion efficiency.

For a buck converter, calculate the inductor minimum value as shown in equation (6).

$$L_{min} = \frac{V_{in} \times (V_{in} - V_{out})}{\Delta I \times f_{sw} \times V_{out}} \tag{6}$$

Where:

K_{IND} is the coefficient of inductor ripple current relative to the maximum output current.

Therefore, the peak switching current of inductor, I_{LPEAK} , is calculated as in equation (7).

$$I_{LPEAK} = I_{OUT} + \Delta I \times \frac{1}{2} \tag{7}$$

Set the current limit of the SCT2230 higher than the peak current I_{LPEAK} and select the inductor with the saturation current higher than the current limit. The inductor’s DC resistance (DCR) and the core loss significantly affect the efficiency of power conversion. Core loss is related to the core material and different inductors have different core loss. For a certain inductor, larger current ripple generates higher DCR and ESR conduction losses and higher core loss.

Table 1 lists recommended inductors for the SCT2230. Verify whether the recommended inductor can support the user's target application with the previous calculations and bench evaluation. In this application, the WE's inductor 744325330 is used on SCT2230 evaluation board.

Table 1. Recommended Inductors

Part Number	L00912
-------------	--------

SCT2230

Output Feedback Resistor Divider Selection

The SCT2230 features external programmable output voltage by using a resistor divider network R1 and R2 as shown in the typical application circuit Figure 8. Use equation (8) to calculate the resistor divider values.

$$R_1 = \frac{(V_{out} - V_{ref}) \times R_2}{V_{ref}} \quad (8)$$

Table 2. Recommended Component Selections

Output Voltage (V)	SCT2231		L (μH)	C1 (μF)	C2 (μF)	C3 (nF)
1.2	4.99	10	1.5	10	2 x 22	100
1.5	8.66	10	1.5	10	2 x 22	100
1.8	12.4	10	2.2	10	2 x 22	100
2.5	21.5	10	2.2	10	2 x 22	100
3.3	31.6	10	3.3	10	2 x 22	100

5

Application Waveforms

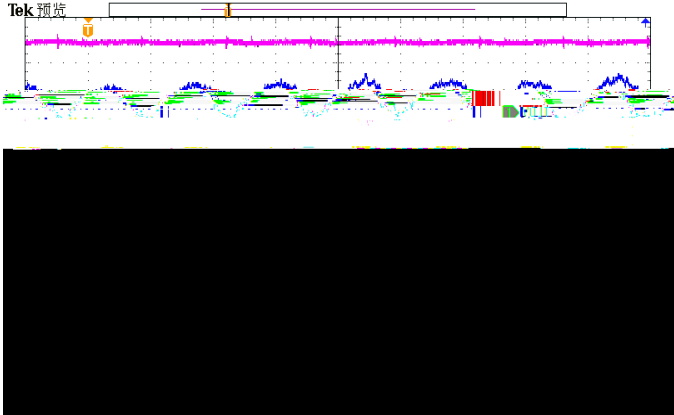


Figure 9. SW node waveform and Output Ripple
VIN=12V, IOUT=3A

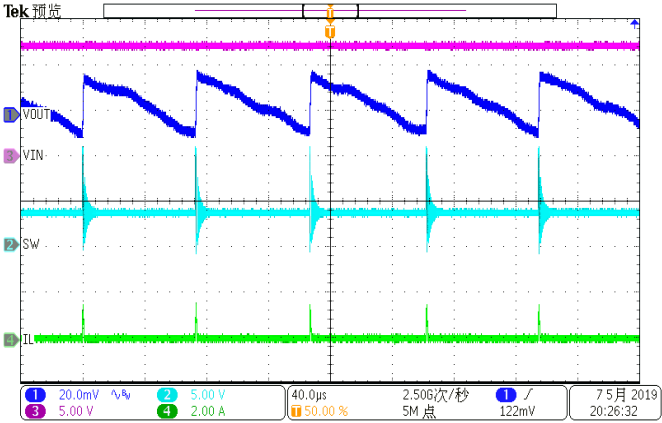


Figure 10. SW node Waveform and Output Ripple
VIN=12V, IOUT=10mA

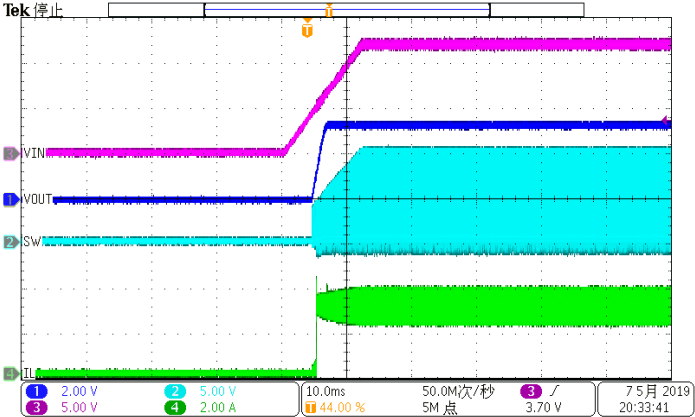


Figure 11. Power Up
VIN=12V, VOUT=3.3V, IOUT=3A

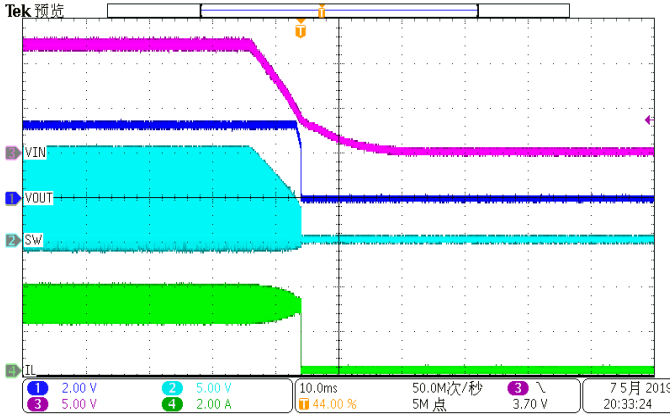


Figure 12. Power Down
VIN=12V, VOUT=3.3V, IOUT=3A

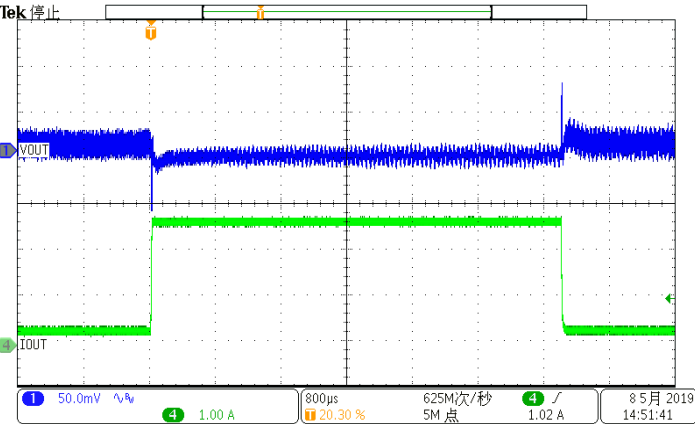


Figure 13. Load Transient
VOUT=3.3V, IOUT=0.3A to 2.7A, SR=250mA/us

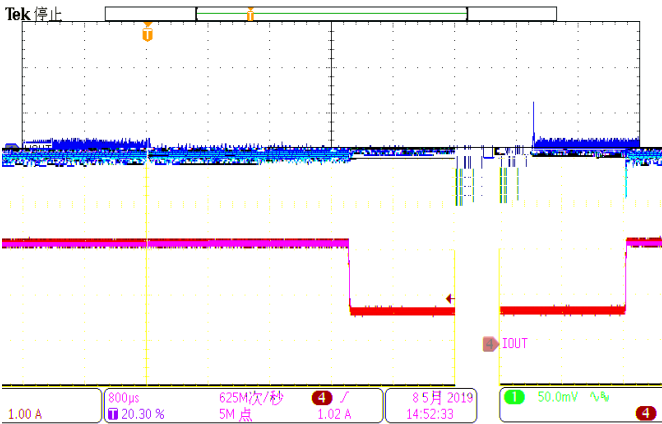


Figure 14. Load Transient
VOUT=3.3V, IOUT=0.75A to 2.25A, SR=250mA/us

Layout Guideline

The regulator could suffer from instability and noise problems without carefully layout of PCB. Radiation of high-frequency noise induces EMI, so proper layout of the high-frequency switching path is essential. Minimize the length and area of all traces connected to the SW pin, and always use a ground plane under the switching regulator to minimize coupling. The input capacitor needs to be very close to the VIN pin and GND pin to reduce the input supply ripple. Place the capacitor as close to VIN pin as possible to reduce high frequency ringing voltage on SW pin as well. Figure 15 is the recommended PCB layout of SCT2230.

The layout needs be done with well consideration of the thermal. A large top layer ground plate using multiple thermal vias is used to improve the thermal dissipation. The bottom layer is a large ground plane connected to the top layer ground by vias.

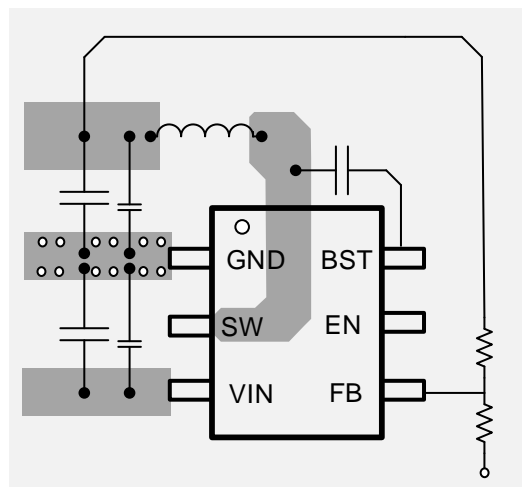


Figure 15. PCB Layout Example

Thermal Considerations

The maximum IC junction temperature should be restricted to 125°C under normal operating conditions. Calculate the maximum allowable dissipation, $P_{D(max)}$, and keep the actual power dissipation less than or equal to $P_{D(max)}$. The maximum-power-dissipation limit is determined using Equation (9).

$$T_{JA} = \frac{125 - T_A}{P_{D(max)}} \quad (9)$$

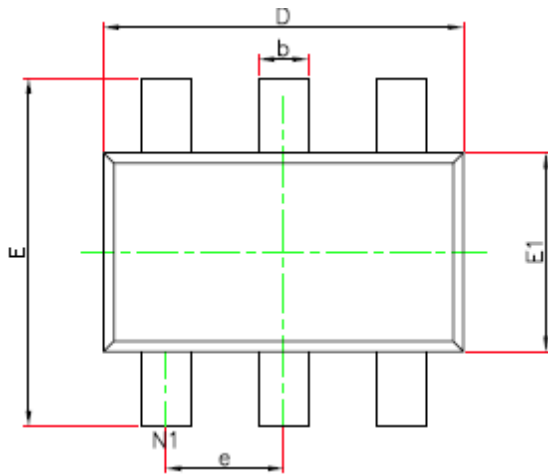
where

T_A is the maximum ambient temperature for the application.

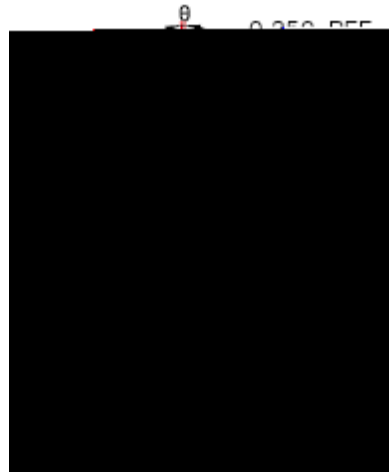
R_{JA} is the junction-to-ambient thermal resistance given in the Thermal Information table.

The real junction-to-ambient thermal resistance R_{JA} of the package greatly depends on the PCB type, layout, thermal pad connection and environmental factor. Using thick PCB copper and soldering the GND to a large ground plate enhance the thermal performance. Using more vias connects the ground plane on the top layer and bottom layer around the IC without solder mask also enhance the thermal capability.

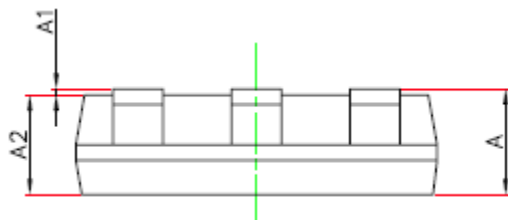
PACKAGE INFORMATION (TSOT23-6)



TSOT23-6 TOP VIEW



TSOT23-6 BOTTOM VIEW



TSOT23-6 SIDE VIEW

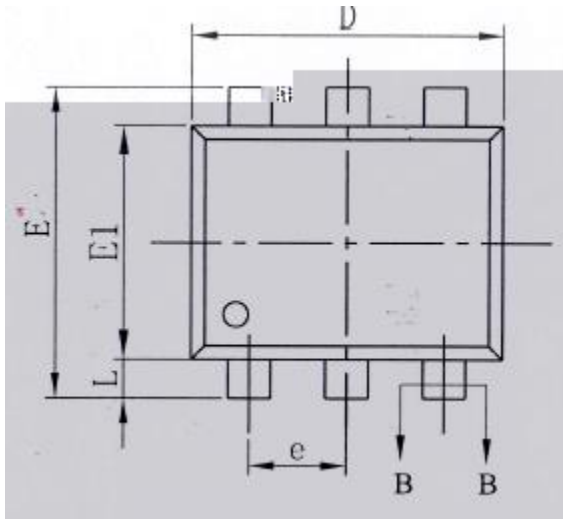
NOTE:

1. Drawing proposed to be made a JEDEC package outline MO-220 variation.
2. Drawing not to scale.
3. All linear dimensions are in millimeters.
4. Thermal pad shall be soldered on the board.
5. Dimensions of exposed pad on bottom of package do not include mold flash.
6. Contact PCB board fabrication for minimum solder mask web tolerances between the pins.

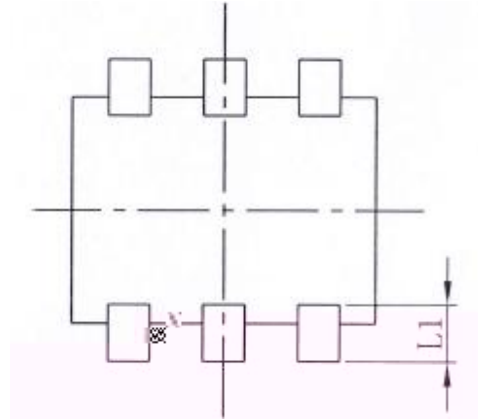
SYMBOL	Unit: Millimeter		
	MIN	TYP	MAX
A	-----		1.10
A1	0.000		0.10
A2	0.70		1.00
D	2.85		2.95
E	2.65		2.95
E1	1.55		1.65
b	0.30		0.50
c	0.08		0.20
e	0.95(BSC)		
L	0.30		0.60
	0		8

SCT2230

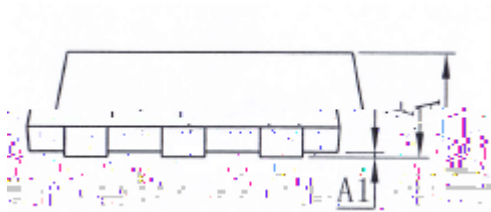
PACKAGE INFORMATION (SOT563)



SOT563 TOP VIEW



SOT563 BOTTOM VIEW



SOT563 SIDE VIEW

SYMBOL	Unit: Millimeter		
	MIN	TYP	MAX
A	0.53		0.6
A1	0.000		0.05
b	0.19		0.27
b1	0.18	0.2	0.23
c	0.11		0.16
c1	0.1	0.11	0.12

D96 reW

NOTE:

7. Drawing proposed to be made a JEDEC package outline MO-220 variation.
8. Drawing not to scale.
9. All linear dimensions are in millimeters.
10. Thermal pad shall be soldered on the board.
11. Dimensions of exposed pad on bottom of package do not include mold flash.
12. Contact PCB board fabrication for minimum solder mask web tolerances between the pins.

TAPE AND REEL INFORMATION (TSOT23-6)

